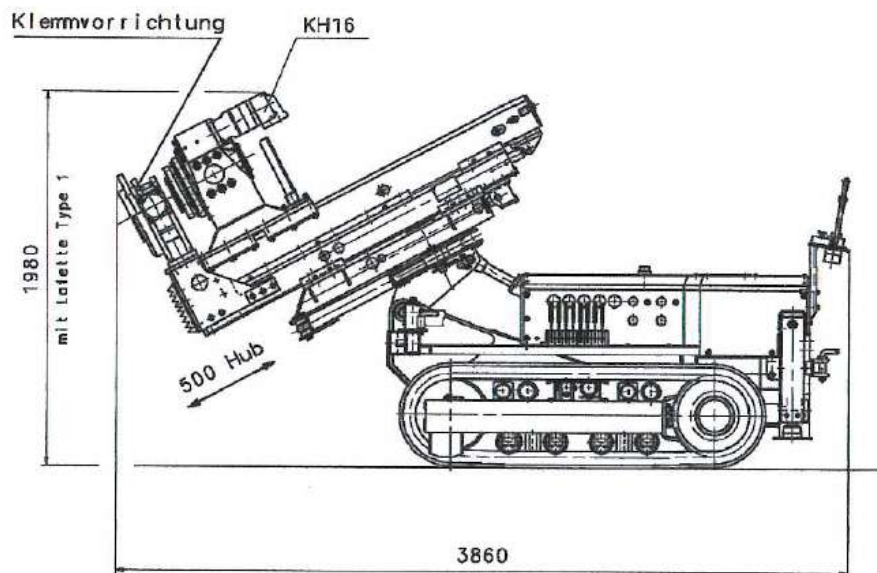
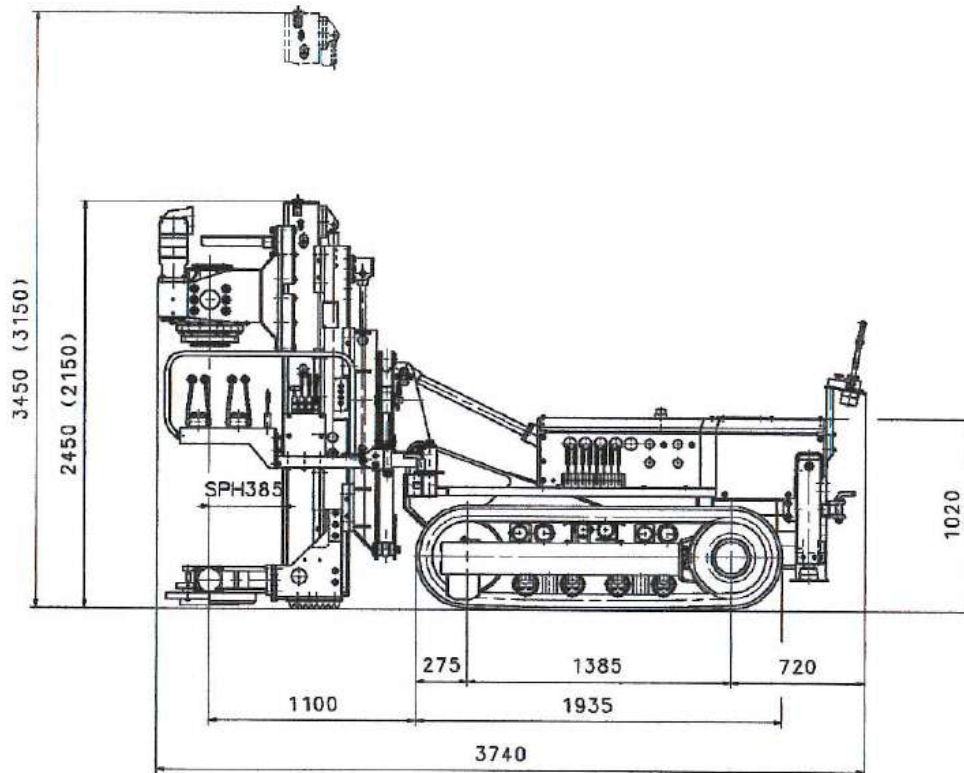


KLEMM 702 – 01

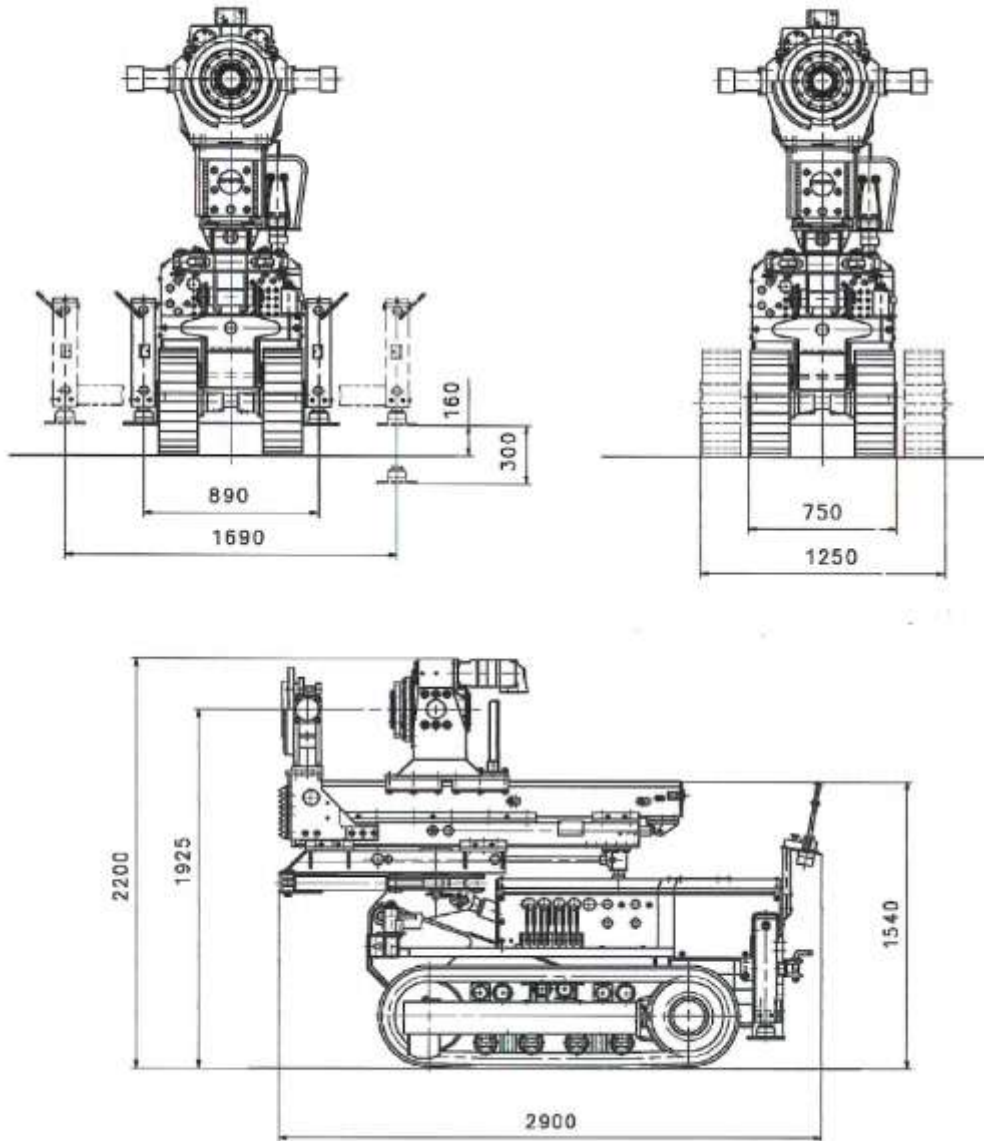


Complete Rig Weight	4.5t
Access Width	800mm
Access Height	2200mm
Minimum operating width	1300mm
Typical operating Height Range	2500mm – 3200mm
Rotary Head Torque output	16,000 Nm
Max Retraction force	60kN
Max Crowd force	40kN
Power Pack Unit Type	Remote – Diesel 75 Hp
Power Pack Height / Width	H 2200mm / W 1700mm
Power Pack weight	Max 2000 Kg
Maximum diameter of Clamping device	510 mm

Abmessungen / Dimensions KR 702-1



Abmessungen / Dimensions KR 702-1



Drilling Capabilities

Auger	260mm	320mm	350mm	450mm	600mm
Casing	300mm	345mm	390mm	508mm	660mm
Max. Drill Depth	25m	25m	25m	20m	–
Max Cased Depth	10m	10m	7m	7m	–